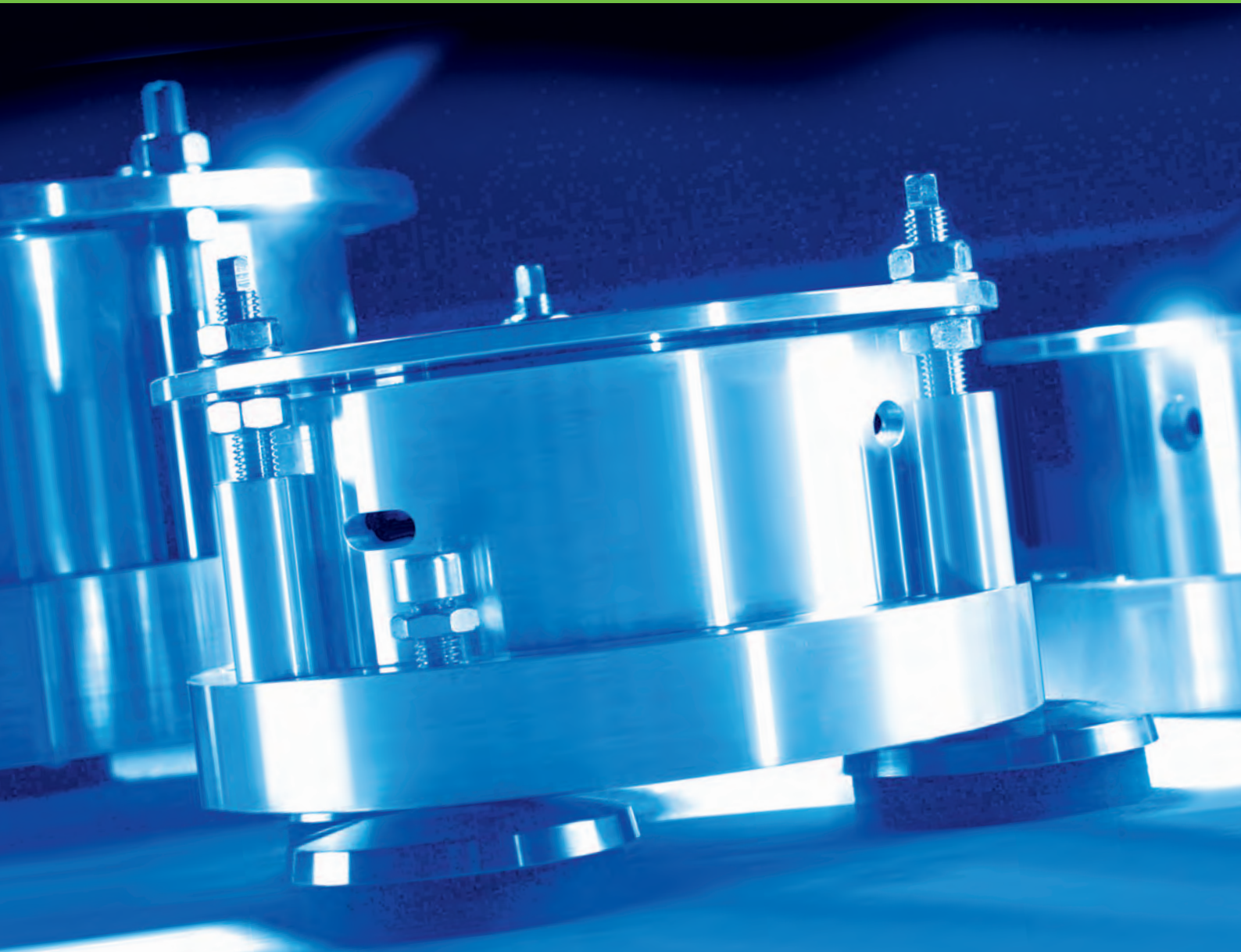


HAB™ Horizontal air springs

AIS™
Active Isolation System

Horizontal vibration isolation with
AIS™ systems with 6 degrees of freedom.



Product description

Pneumatic horizontal vibration isolator each comprising of a cylindrical upper housing section and lower housing section.

The two cylindrical side walls form an annular gap into which the air tubes are inserted and which act against the radially directed relative movements between the upper and lower sections. The necessary horizontal force depending on the machine type or the natural frequency of the air hoses can be adjusted using the variable air pressure.

A special air bearing is used to carry the vertical load resting on the upper section and to prevent frictional forces in the horizontal plane

The advantages compared to conventional air spring systems

- Application specific adjustable natural frequency
- Damping in the horizontal plane
- No uncontrolled frictional effects (such as slip-stick effects)
- In combination with AIS™:
 - No resonance peaks
 - Above average damping
 - Minimum settling time
 - High positional accuracy



Patents: German patent no. 102 49 647.1 – German patent no. 102 49 647

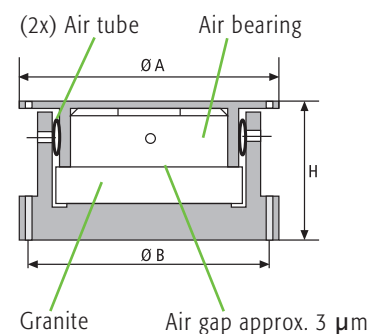
HAB™ HORIZONTAL AIR SPRING

Type	Item no.	Ø A	Ø B	H	Leveling threaded rod	max. vertical load capacity at 5.5 bar N	max. horizontal force absorption at 1 bar N	Adjustable horizontal natural frequency Hz
		mm	mm	mm				
HAB™ 280	53-0055	200	180	101	M10 x 1.5	3,400	150	1.1 – 1.9
HAB™ 660	53-0084	250	230	118	M10 x 1.5	7,200	380	1.1 – 1.9
HAB™ 1000	53-0023	300	276	159	M12 x 1.5	11,000	490	1.1 – 1.9
HAB™ 1000-HL	53-0025	300	276	159	M12 x 1.5	14,000	490	1.1 – 1.9
HAB™ 24000	53-0039	350	326	172	M16 x 1.5	23,500	700	1.1 – 1.9
HAB™ 38000	53-0069	422	398	187	M16 x 1.5	38,000	1100	1.1 – 1.9

Larger sizes available on request!

Note

- In addition to our standard solutions listed here we also supply numerous special solutions. Please contact us, we would be happy to advise you.



We reserve the right to make changes without prior notice.